

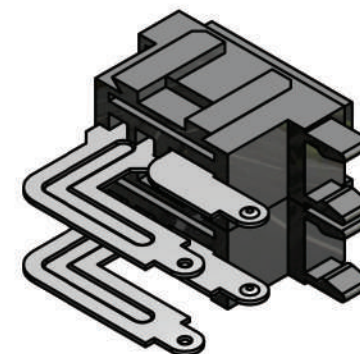
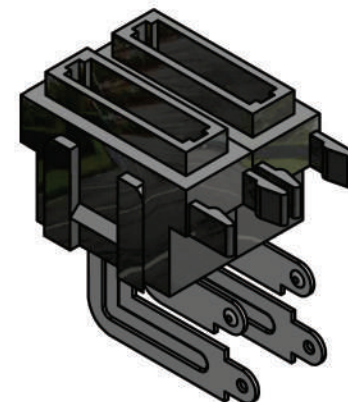
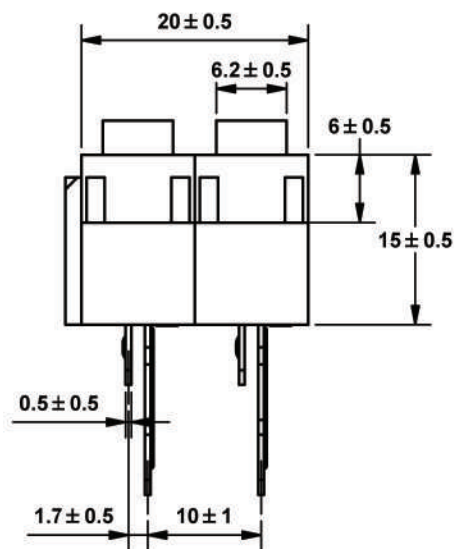
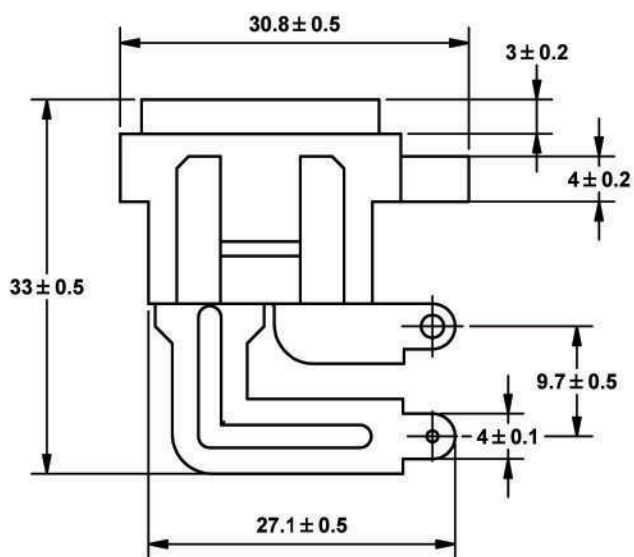
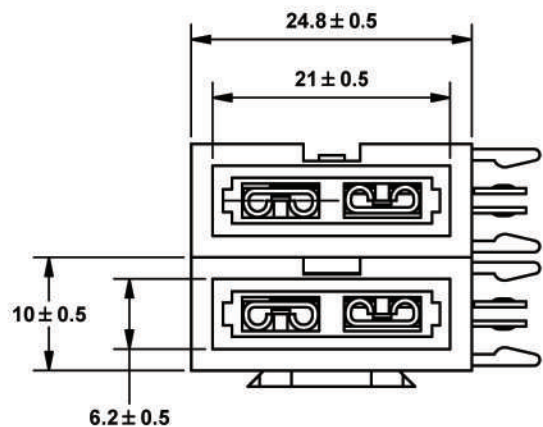


Material:Housing Nyion PA66
 Terminal Brass bright tin plated
 Thickness:0.5mm
 Electrical:Use Blade Autofuse ATU Max.30A

UNLESS OTHERWISE SPECIFIED DIMENSIONS ARE IN MM TOLERANCE DECIMALS ANGULAR X± 0.5 ± 2° XX± 0.25 DO NOT SCALE DRAWING		CUSTOMER NO.	DONGGUAN TIANRUI ELECTRONIC CO.,LTD.
		DRAWN BY	
 		CHECKED BY	Panel Mount Fuse Holder
		APPROVED BY	
P/N		DATE 2006/12/5	DRAWING NO. BA03120900
REV	1.0	SCALE	





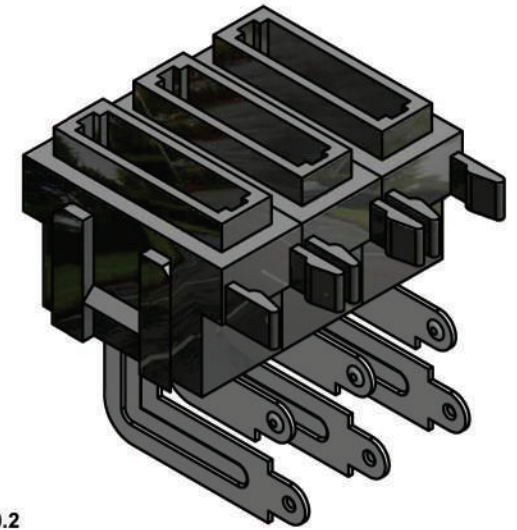
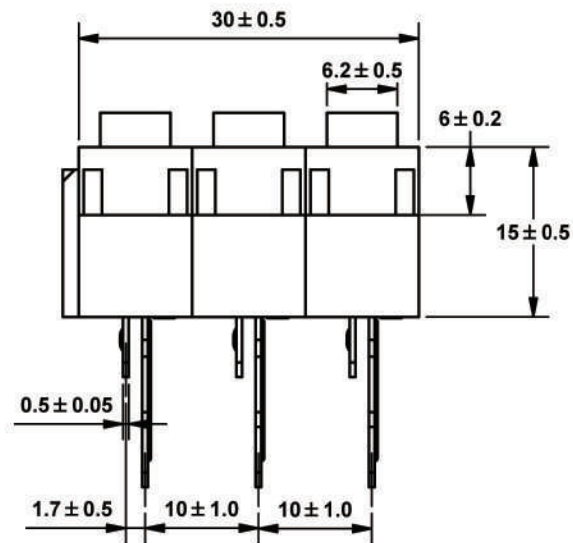
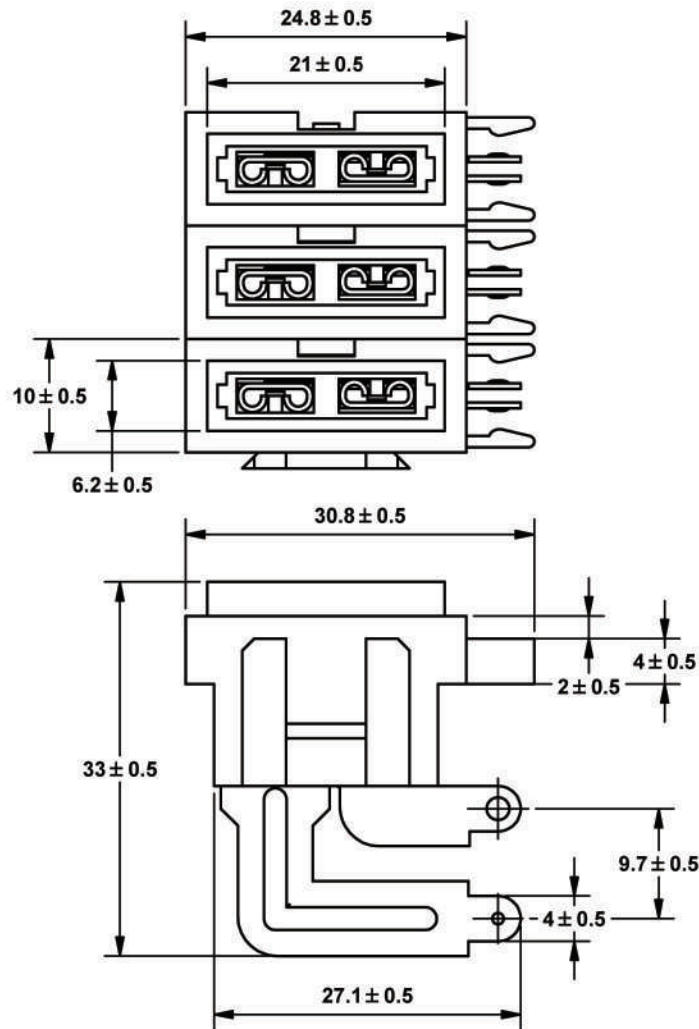
Housing Material: Glass Fiber Reinforced ,Flame Retarded PA66

Terminal Brass bright tin plated

Thickness:0.5mm

Electrical:Use Blade Autofuse ATU Max.30A

UNLESS OTHERWISE SPECIFIED DIMENSIONS ARE IN MM TOLERANCE DECIMALS ANGULAR X ± 0.5 ± 2° XX ± 0.25 DO NOT SCALE DRAWING		CUSTOMER NO.	DONGGUAN TIANRUJ ELECTRONIC CO., LTD
		DRAWN BY	
 		CHECKED BY	TITLE Panel Mount Fuse Holder 2 Poles assembled
		APPROVED BY	
P/N		DATE 2008/5/21	PART NO. SL-703H-2
REV	A	SCALE	DRAWING NO. BA03120901





Housing Material: Glass Fiber Reinforced ,Flame Retarded PA66

Terminal Brass bright tin plated

Thickness:0.5mm

Electrical:Use Blade Autofuse ATU Max.30A

UNLESS OTHERWISE SPECIFIED DIMENSIONS ARE IN MM TOLERANCE DECIMALS ANGULAR $X \pm 0.5$ $\pm 2'$ $XX \pm 0.25$ DO NOT SCALE DRAWING		CUSTOMER NO.	DONGGUAN TIANRUI ELECTRONIC CO.,LTD
		DRAWN BY	
 		CHECKED BY	TITLE Panel Mount fuse holder 3 Poles assembled
		APPROVED BY	
P/N		DATE 2008/5/21	PART NO. SL-703H-3
REV	A	SCALE	DRAWING NO. BA04061401